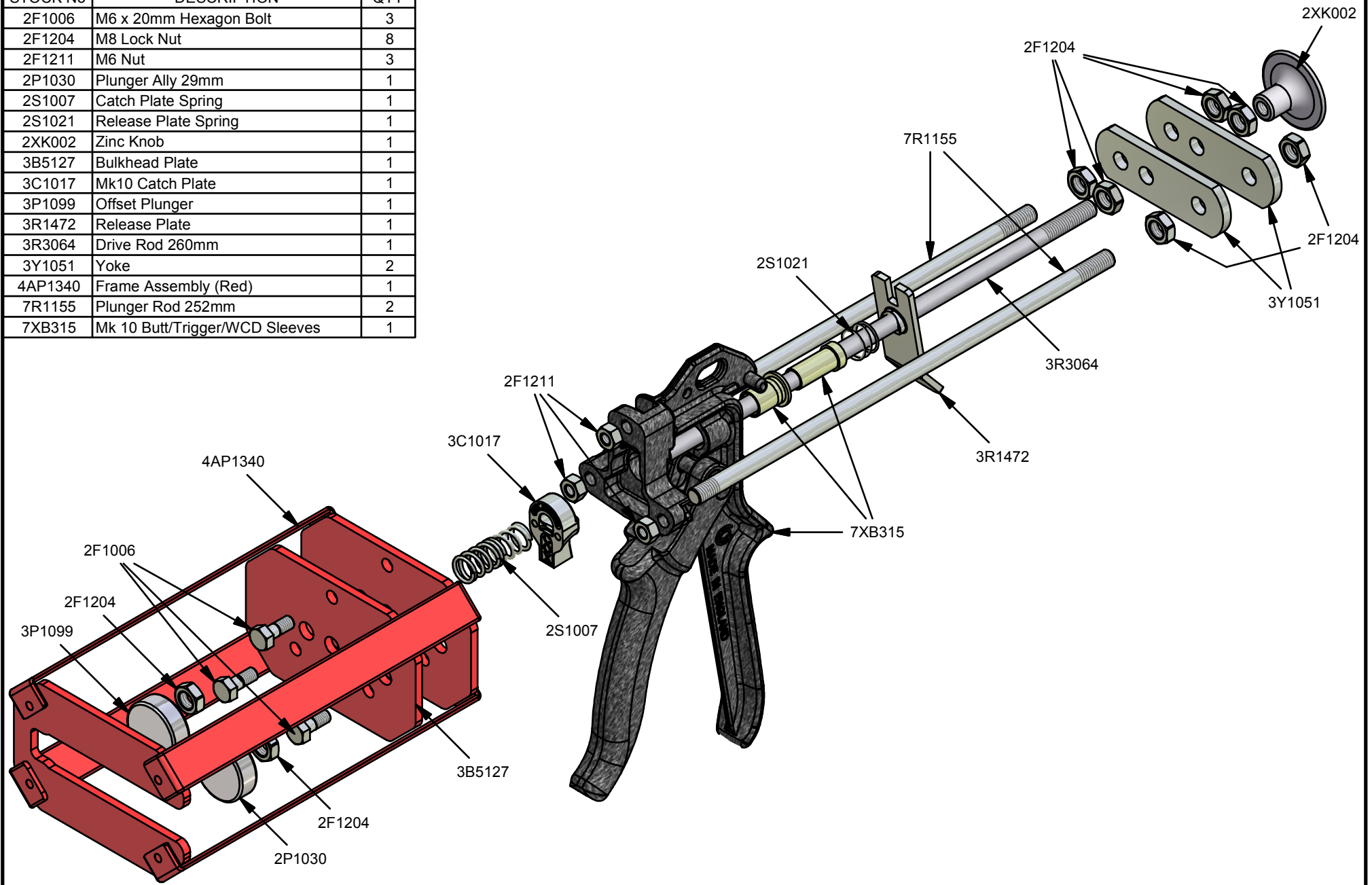


| Parts List | | |
|------------|--------------------------------|-----|
| STOCK No | DESCRIPTION | QTY |
| 2F1006 | M6 x 20mm Hexagon Bolt | 3 |
| 2F1204 | M8 Lock Nut | 8 |
| 2F1211 | M6 Nut | 3 |
| 2P1030 | Plunger Ally 29mm | 1 |
| 2S1007 | Catch Plate Spring | 1 |
| 2S1021 | Release Plate Spring | 1 |
| 2XK002 | Zinc Knob | 1 |
| 3B5127 | Bulkhead Plate | 1 |
| 3C1017 | Mk10 Catch Plate | 1 |
| 3P1099 | Offset Plunger | 1 |
| 3R1472 | Release Plate | 1 |
| 3R3064 | Drive Rod 260mm | 1 |
| 3Y1051 | Yoke | 2 |
| 4AP1340 | Frame Assembly (Red) | 1 |
| 7R1155 | Plunger Rod 252mm | 2 |
| 7XB315 | Mk 10 Butt/Trigger/WCD Sleeves | 1 |

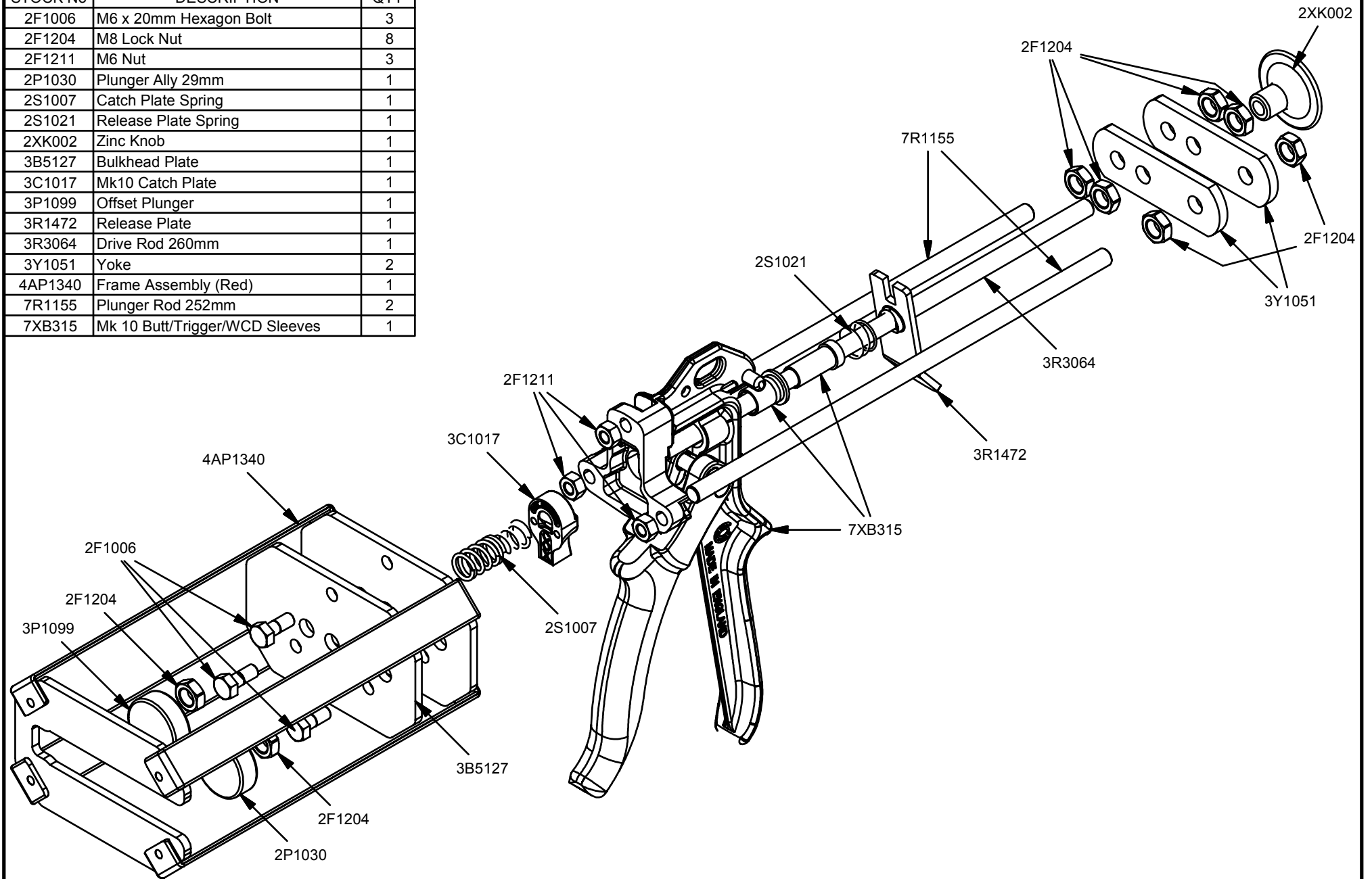


VBM 200X (MR)



| | |
|-----|------------|
| REV | DATE |
| E | 26/08/2003 |

| Parts List | | |
|------------|--------------------------------|-----|
| STOCK No | DESCRIPTION | QTY |
| 2F1006 | M6 x 20mm Hexagon Bolt | 3 |
| 2F1204 | M8 Lock Nut | 8 |
| 2F1211 | M6 Nut | 3 |
| 2P1030 | Plunger Ally 29mm | 1 |
| 2S1007 | Catch Plate Spring | 1 |
| 2S1021 | Release Plate Spring | 1 |
| 2XK002 | Zinc Knob | 1 |
| 3B5127 | Bulkhead Plate | 1 |
| 3C1017 | Mk10 Catch Plate | 1 |
| 3P1099 | Offset Plunger | 1 |
| 3R1472 | Release Plate | 1 |
| 3R3064 | Drive Rod 260mm | 1 |
| 3Y1051 | Yoke | 2 |
| 4AP1340 | Frame Assembly (Red) | 1 |
| 7R1155 | Plunger Rod 252mm | 2 |
| 7XB315 | Mk 10 Butt/Trigger/WCD Sleeves | 1 |



VBM 200X (MR)



REV

DATE

E

26/08/2003